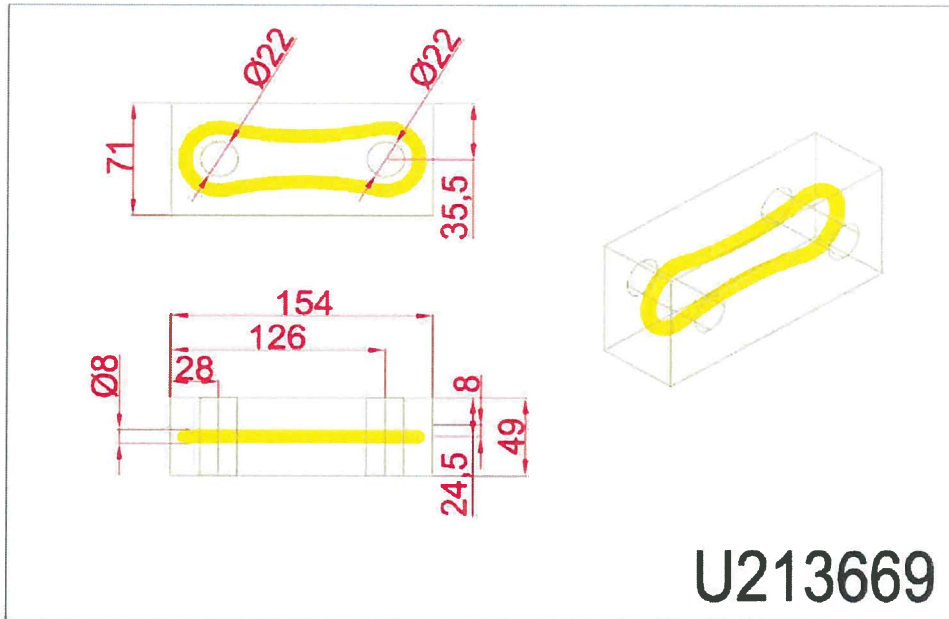


## PONTON BLOC 2 HOLES

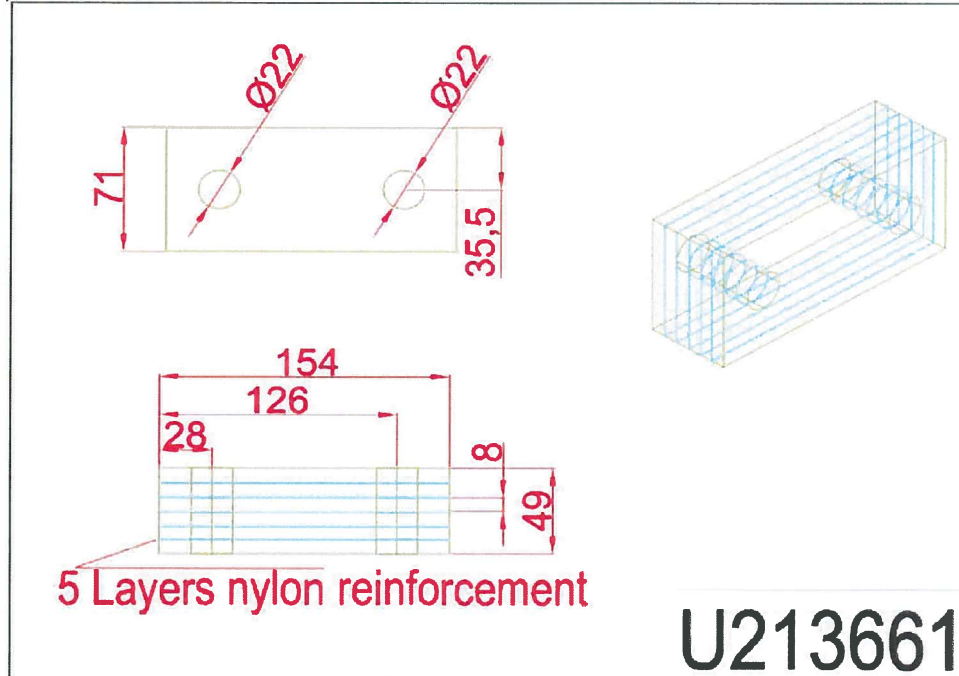
154MM X 71MM X 49MM



### U213669

E

ARTICLE	DESCRIPTION	MAX LOAD AFTER RUPTURE
U213669	RUBBER BLOC WITH CABLE REINFORCEMENT IN 8	5 TON



5 Layers nylon reinforcement

### U213661

ARTICLE	DESCRIPTION	MAX LOAD AFTER RUPTURE
U213661	RUBBER BLOC WITH 5 LAYERS OF NYLON REINFORCEMENT	1,2 TON