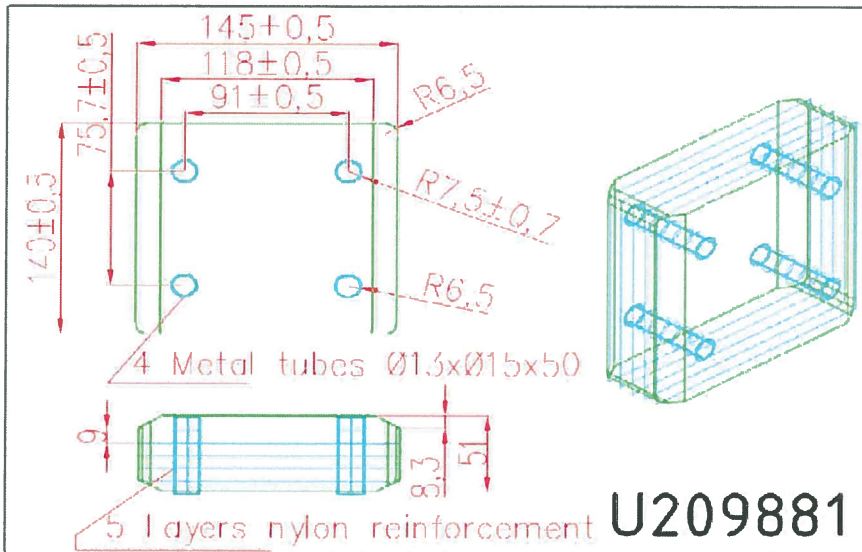
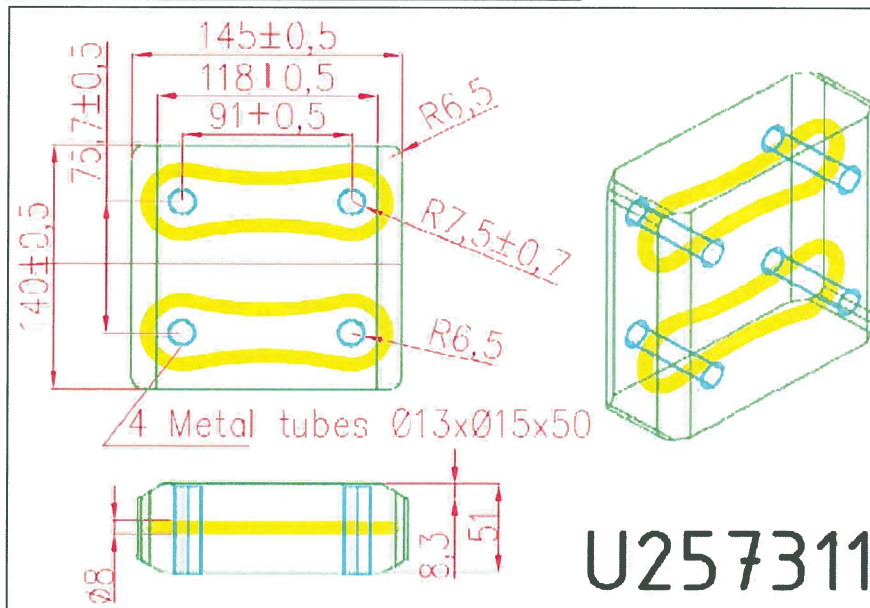


PONTON BLOC 4 HOLES



ARTICLE	DESCRIPTION	MAX LOAD AFTER RUPTURE
U209881	RUBBER WITH 5 LAYERS NYLON REINFORCEMENT AND 4 STAINLESS STEEL TUBES	1,6 TON



ARTICLE	DESCRIPTION	MAX LOAD AFTER RUPTURE
U257311	RUBBER WITH TWO STEEL CABLE REINFORCEMENT AND 4 STAINLESS STEEL TUBES	11 TON